

## TECHNICAL SHEET

Altura is a projecting floor lamp. Two thin rods, one vertical and a horizontal one made of steel, are connected by a joint. Lightweight materials and sophisticated technology contained within the cone-shaped lampshade.

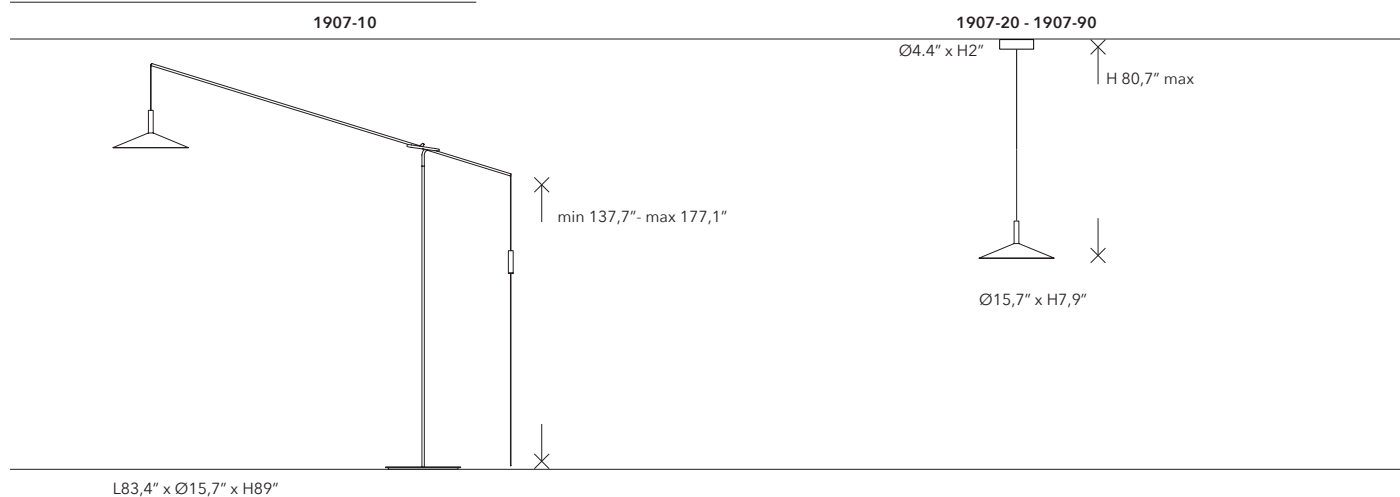
### Certification



1907-10 FLOOR	
<b>Mounting</b>	Floor Lamp
<b>Environment</b>	Indoor - Dry Location
<b>Materials</b>	Metal
<b>Voltage</b>	100-240V 50/60Hz
<b>Source</b>	LED 14W - CRI=90
<b>Input current</b>	
<b>Color Temperature</b>	3000K / 2700K
<b>Lumen</b>	1180lm
<b>Lighting control</b>	Dimmer on cable
<b>Cable RAL</b>	9005

	1907-20 SUSPENSION	1907-90 CANOPY TYPE C
<b>Mounting</b>	Suspension	Ceiling
<b>Environment</b>	Indoor - Dry Location	Indoor - Dry location
<b>Materials</b>	Metal	Metal
<b>Voltage</b>		120-277V 60Hz
<b>Source</b>	LED 14W - CRI=90	
<b>Input current</b>	700mA	
<b>Color Temperature</b>	3000K / 2700K	
<b>Lumen</b>	1180lm	
<b>Lighting control</b>		Dimmable 0-10V / Dimmable phase cut (120V only)
<b>Cable RAL</b>	9005	
<b>Finishes</b>		Matt black Matt gold Matt white

## Technical Drawing



## Finishes

### Structure



Matt black



Matt white\*



Orange\*



Blue\*



Matt bronze\*

### Canopies



Matt black varnished metal



Matt gold varnished metal



Matt white varnished metal

\*Matt white, orange, blue and matt bronze available for Altura suspension.

## NOTE:

All luminaires can only be sold with the single rosettes.  
The reverse is also true: rosettes cannot be sold separately from pendants.  
All fixtures are tested and guaranteed in their entirety: pendant + rosette.  
Any unauthorized installation will not be deemed compliant.

# Altura Sommella & Anonima Luci

## Codes Interpretation

1907- 10- 1111 - DXNU

1907  
Year Collection

10  
Typology Model

1111  
Finish1 Finish2

DXNU  
Lighting control Cable Source Wiring

CODES	SIZE	STRUCTURE	SHADE	DETAILS
1907-10-1111-DXNU	floor lamp	matt black		dimmer on cable / 3000K
1907-10-1111-DXWU	floor lamp	matt black		dimmer on cable / 2700K
1907-20-1111-D2NU	suspension	matt black		3000K
1907-20-1111-D2WU	suspension	matt black		2700K
1907-20-4343-D2NU	suspension	orange		3000K
1907-20-4343-D2WU	suspension	orange		2700K
1907-20-4242-D2NU	suspension	blue		3000K
1907-20-4242-D2WU	suspension	blue		2700K
1907-20-0101-D2NU	suspension	matt white		3000K
1907-20-0101-D2WU	suspension	matt white		2700K
1907-20-1616-D2NU	suspension	matt bronze		3000K
1907-20-1616-D2WU	suspension	matt bronze		2700K
1907-90-1100-DXLU	canopy type C	matt black		dimmable 0-10V / dimmable phase cut(120V only)
1907-90-0600-DXLU	canopy type C	matt gold		dimmable 0-10V / dimmable phase cut(120V only)
1907-90-0100-DXLU	canopy type C	matt white		dimmable 0-10V / dimmable phase cut(120V only)

## Legenda

<b>Lighting Control</b>	D = Dimmable	N = Not dimmable	
<b>Cable</b>	X = not suspension lamp	2 = 2m	4 = 4m
<b>Source</b>	B = Bulb	W = Integrated LED 2700K	N = Integrated LED 3000K
<b>Wiring</b>	E = Universal	U = USA with certification	V = USA without certification